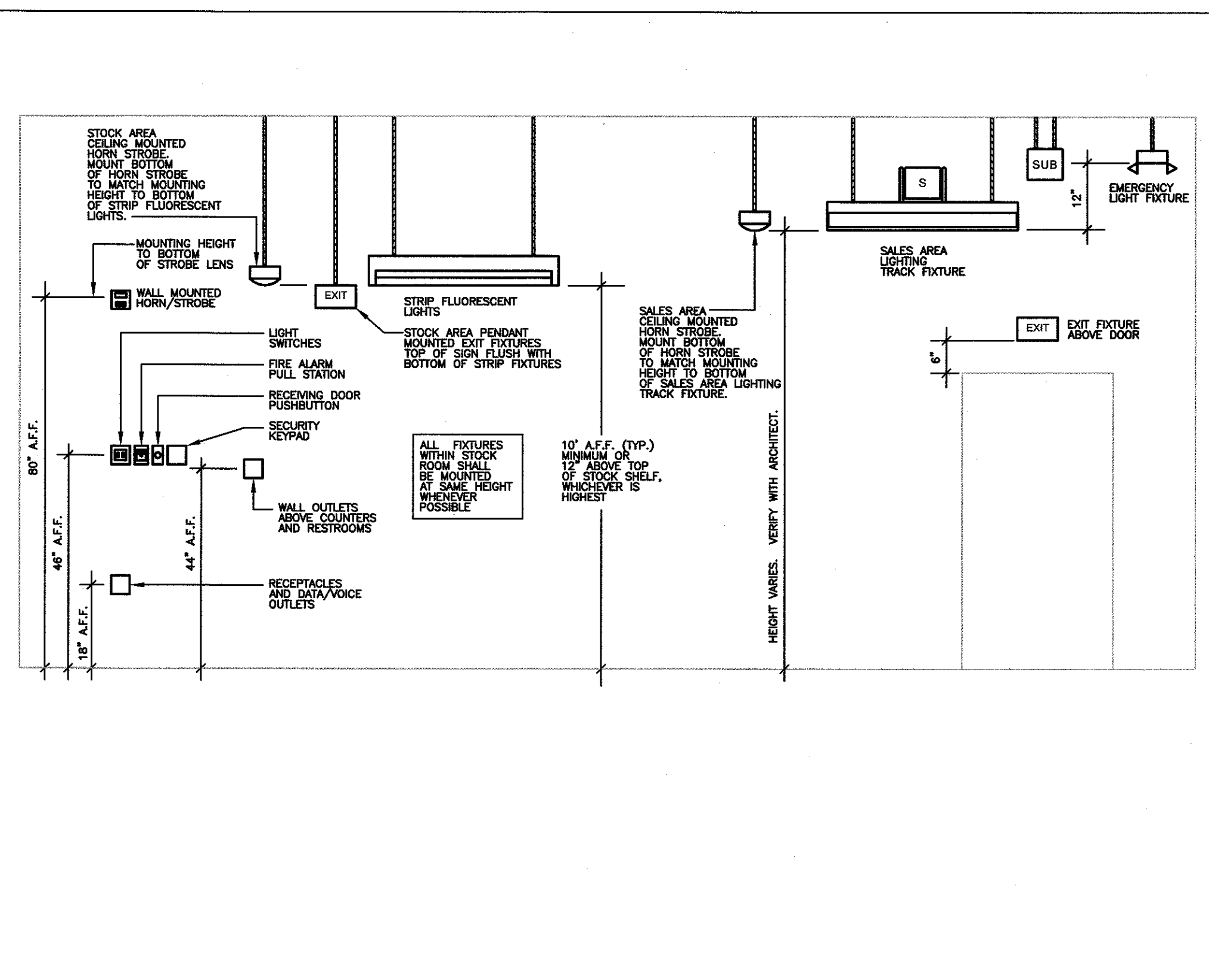
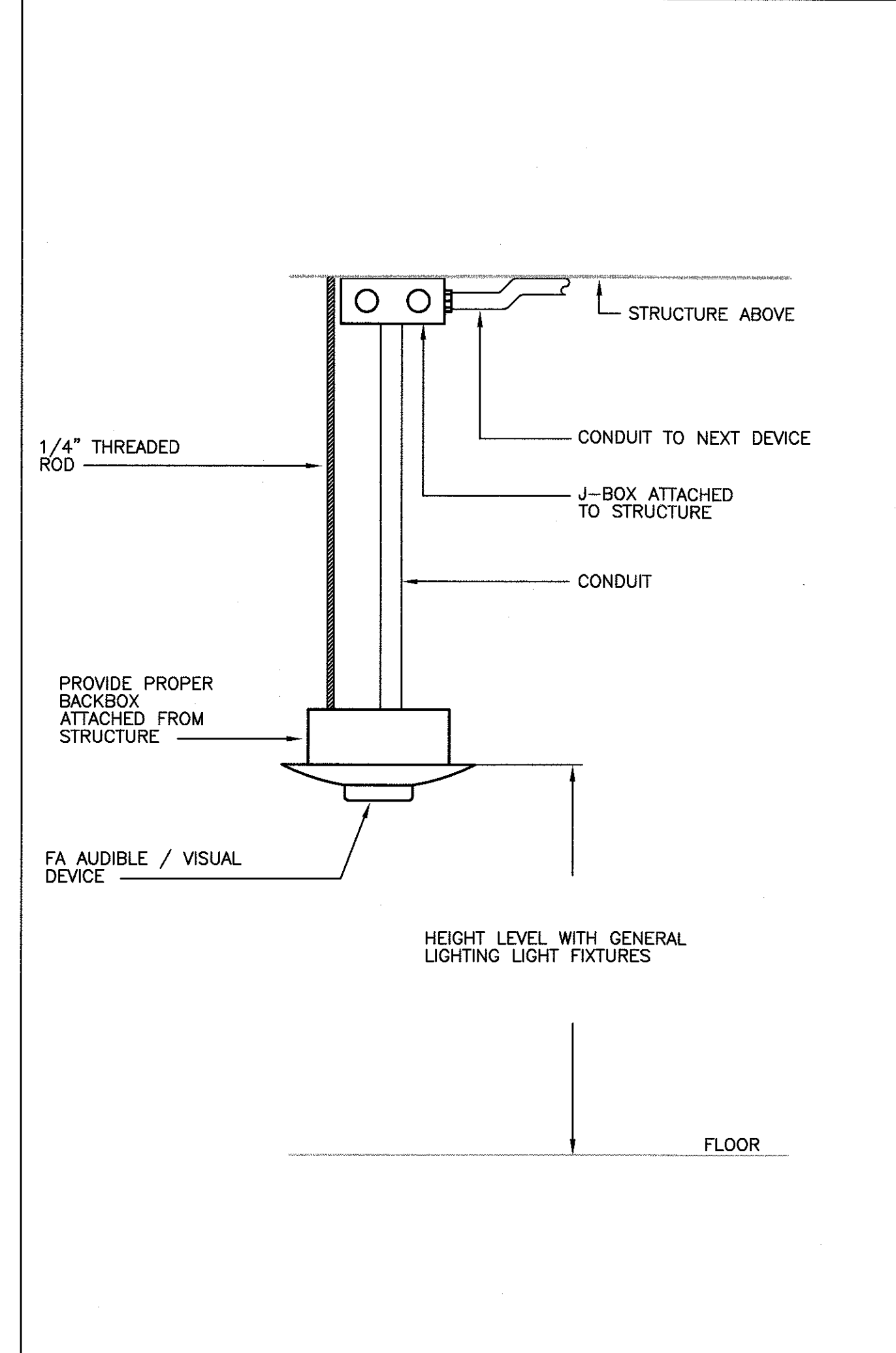


- BUZZER SYSTEM NOTES:**
- ELECTRICAL CONTRACTOR SHALL FURNISH AND INSTALL A DOOR BUZZER SYSTEM WITH TRANSFORMER MOUNTING PLATE AS DETAILED. THE ELECTRICAL CONTRACTOR SHALL PROVIDE ALL NECESSARY JUNCTION BOXES, CONDUIT AND WIRE TO COMPLETELY INSTALL THE DELIVERY DOOR BUZZER SYSTEM. INSTALL COMPLETE SYSTEM IN CONDUIT.
  - CHIME: PROVIDE EDWARDS #C210-W (16 VAC). PROVIDE ONE FOR EACH STOCK ROOM (MOUNT AT 96" A.F.F.) AND ONE UNDER MANAGER'S WORKSTATION COUNTER (MOUNT AT 24" A.F.F.) AND ONE OUTSIDE MANAGER'S OFFICE (MOUNT AT 96" A.F.F.).
  - PUSHBUTTON: PROVIDE EDWARDS #852. LOCATE OUTSIDE RECEIVING DOOR AT +44" A.F.F.
  - TRANSFORMER: PROVIDE EDWARDS 88-250 120VAC-16VAC 160VA TRANSFORMER WITH MOUNTING PLATE. MOUNT AT 96" A.F.F.
  - ELECTRICAL CONTRACTOR SHALL PROVIDE COMPLETE OPERATIONAL SYSTEM.

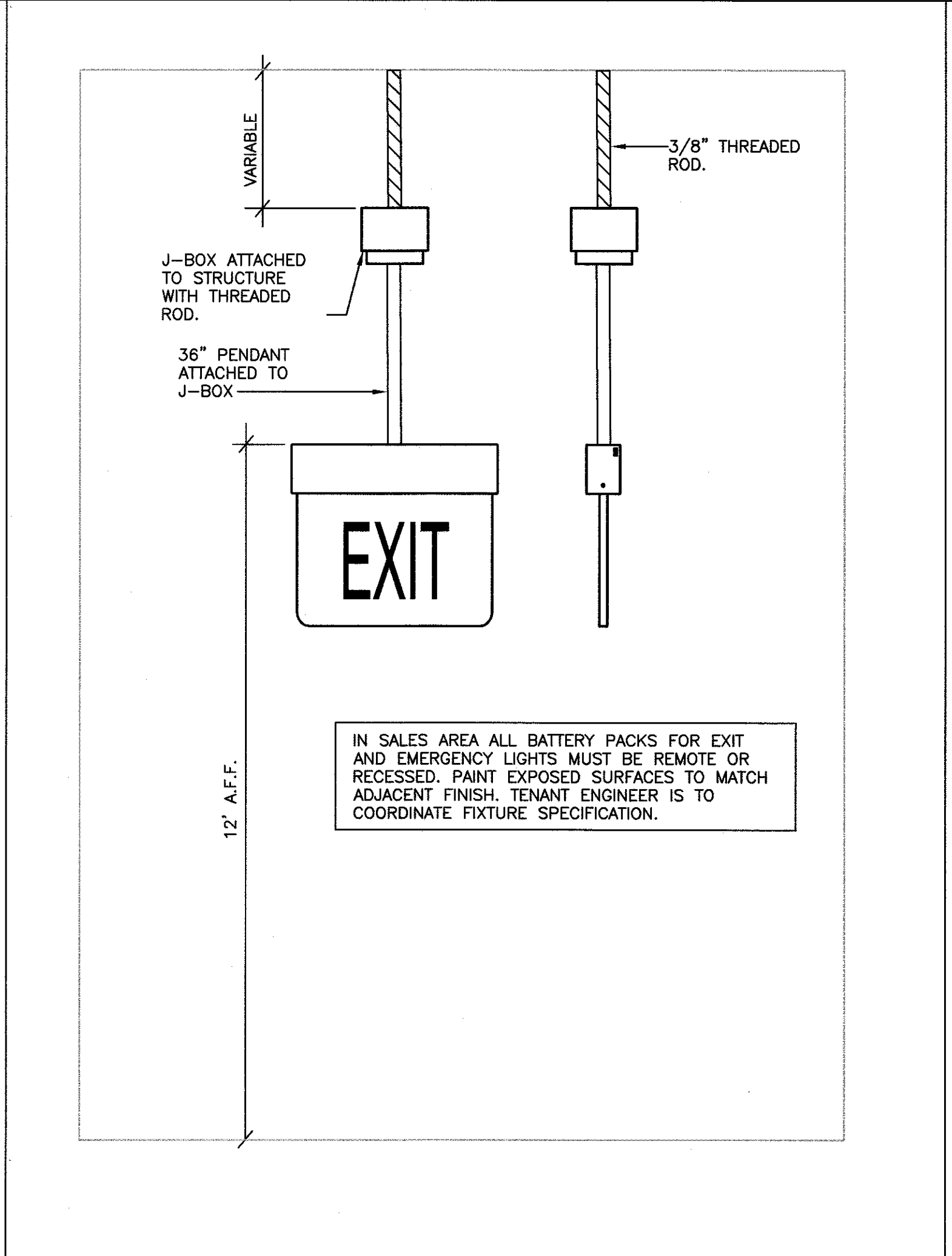
**DELIVERY BUZZER WIRING DIAGRAM** 1 NOT TO SCALE



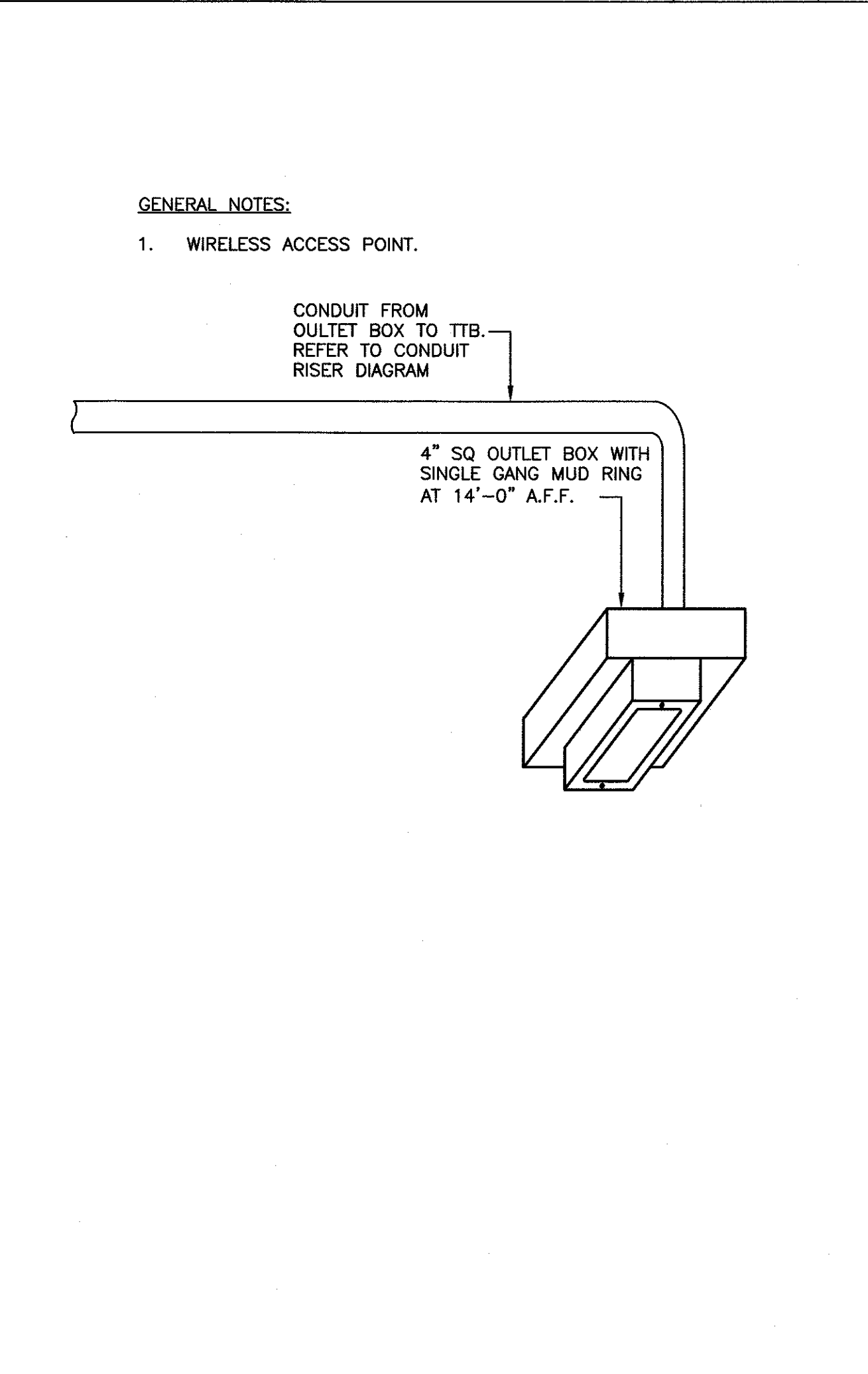
**DEVICE MOUNTING HEIGHT ELEVATION DETAIL** 2 NOT TO SCALE



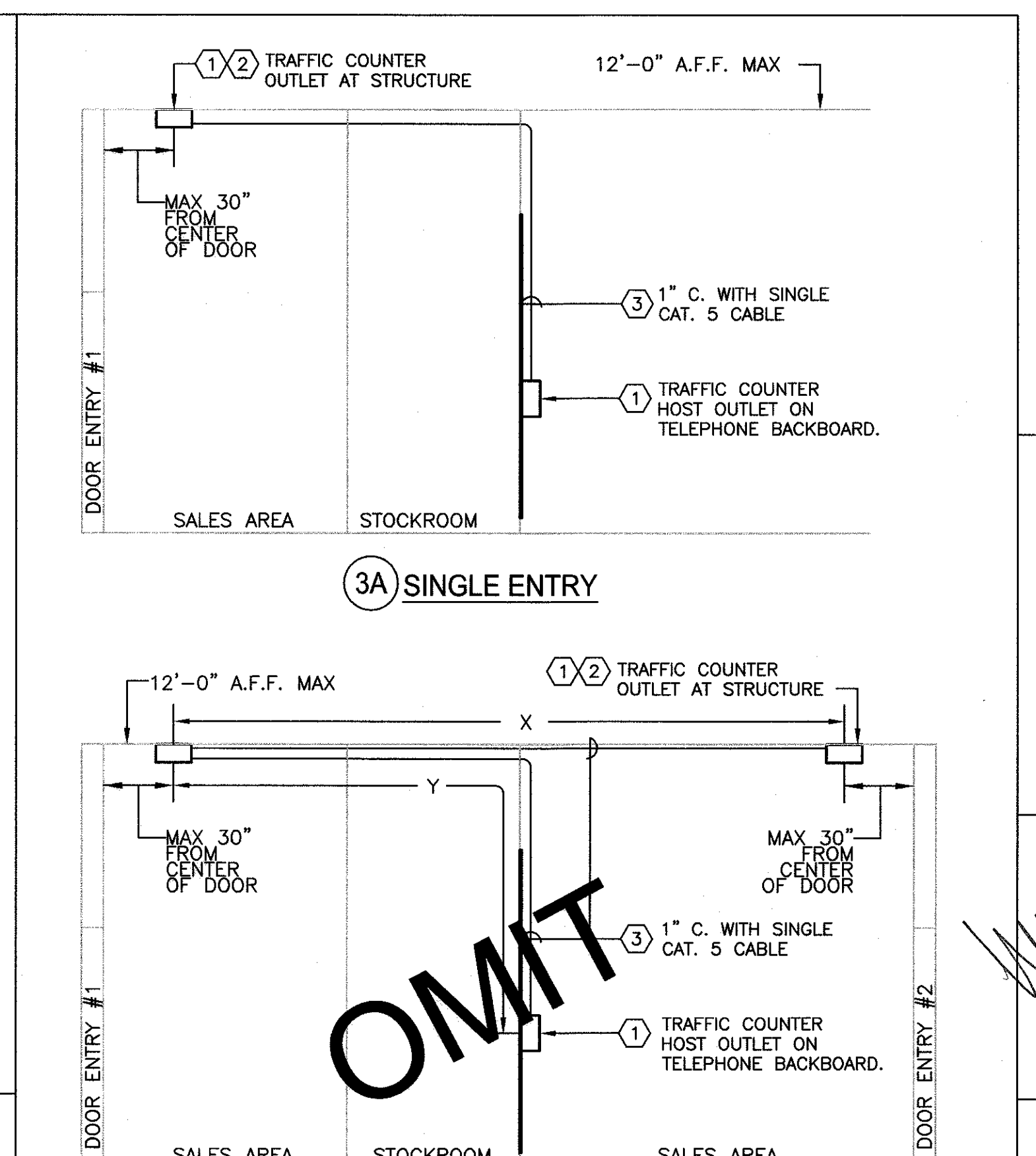
**FIRE ALARM AUDIO/VISUAL MOUNTING DETAIL** 6 NOT TO SCALE



**SALES FLOOR EDGE-LIT EXIT SIGN** 5 NOT TO SCALE



**SALES FLOOR WIRELESS ACCESS POINT BACKBOARD** 4 NOT TO SCALE



**TRAFFIC COUNTER DETAIL** 3 NOT TO SCALE

**KEYED NOTES:**

- REFER TO ELECTRICAL PLANS FOR EXACT LOCATION OF OUTLET.
- J-BOX SHALL BE MOUNTED AT STRUCTURE WITH A MAX HEIGHT OF 12'-0" A.F.F., IF STRUCTURE IS HIGHER THAN 12'-0" THEN CONDUIT SHALL TURN DOWN FROM STRUCTURE TO OCTAGONAL J-BOX AT 12'-0". J-BOX LOCATION TO BE 30" MAX HORIZONTALLY FROM THE CENTER OF THE ENTRY DOOR.
- ELECTRICAL CONTRACTOR SHALL PROVIDE CONDUIT WITH CATEGORY 5 CABLING BETWEEN EACH OUTLET AS NOTED. LEAVE 15'-20' OF CATEGORY 5 CABLE COILED UP AT EACH OUTLET FOR EACH CABLE RUN. AT THE ENTRY DOORS, LEAVE COIL IN A LOCATION THAT CAN BE REACHED USING AN 8' LADDER.

**GENERAL NOTES:**

- ELECTRICAL CONTRACTOR SHALL PROVIDE CATEGORY 5 CABLING FOR TRAFFIC COUNTER SYSTEM. CABLE SHALL BE BERK-TEK #230247 (SOLID PLENUM) OR BELDEN #1701A (BONDED, SOLID TWISTED PAIR PLENUM. LEAVE 20' COILED UP AT EACH OUTLET FOR EACH RUN.
- FOR MULTIPLE SALES FLOOR ENTRIES ELECTRICAL CONTRACTOR SHALL CONFIRM TOTAL CABLE RUN LENGTHS FROM OUTLET-TO-OUTLET-TO-HOST. FOR TOTAL CABLE RUNS LESS THAN 375', PROVIDE DAISY-CHAIN TOPOLOGY PER DETAIL "B". FOR TOTAL RUNS EXCEEDING 375' PROVIDE STAR TOPOLOGY PER DETAIL "C".

OWNER: **WILLIAMS-SONOMA, INC.**  
 3250 Van Ness Avenue  
 San Francisco, CA 94109  
 T 415 616 8602  
 F 415 439 8164  
 www.williams-sonoma.com

**EEA**  
 EEA Consulting Engineers  
 6615 Vaughn Ranch Road, Suite 200  
 Austin, Texas 78729-2314 USA  
 512.744.4400 main 512.744.4444 fax  
 www.eeace.com  
 State of Registration MAINE  
 Firm Registration No. N/A  
 EEA Project No. 20166538

Michael N. Hart  
 No. 10507  
 LICENSED PROFESSIONAL ENGINEER

**west elm**  
 Downtown Portland  
 164 Middle Street  
 Portland, ME 04101  
 PROJECT #006-160335.00

ISSUED / REVISED	DATE
PRELIMINARY SET	09/08/16
LL COORDINATION SET	11/08/16
LL/PERMIT SET	11/21/16

**ELECTRICAL DETAILS**

**E-204**